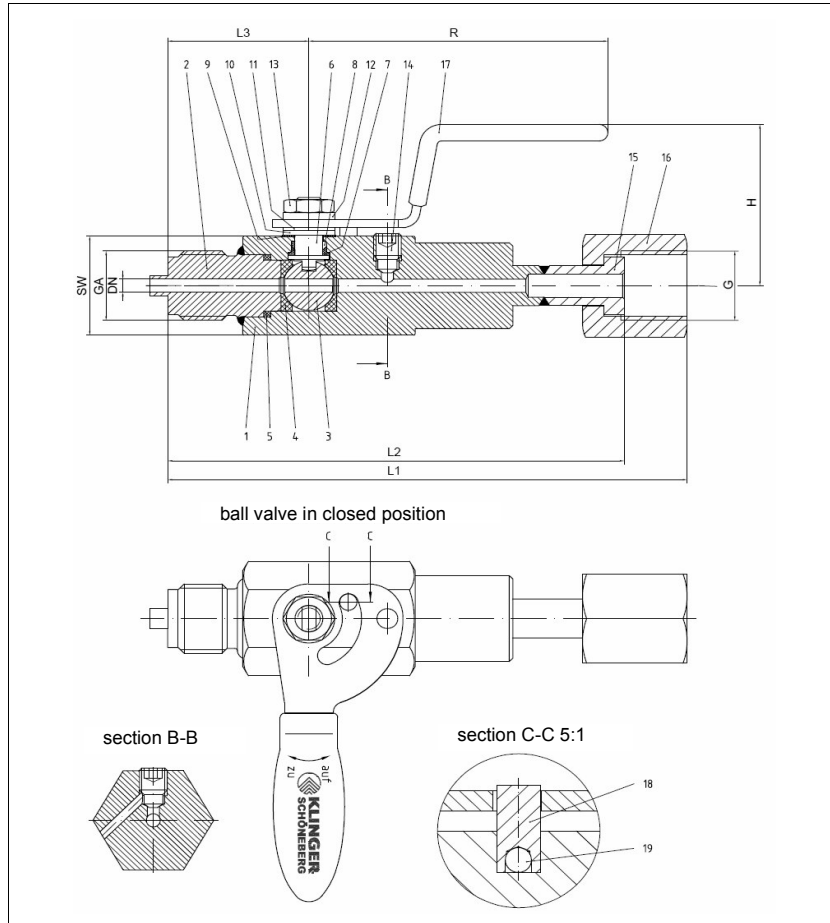


# BALL VALVES INTEC

## K610/3, DN4, PN160 with vent bore

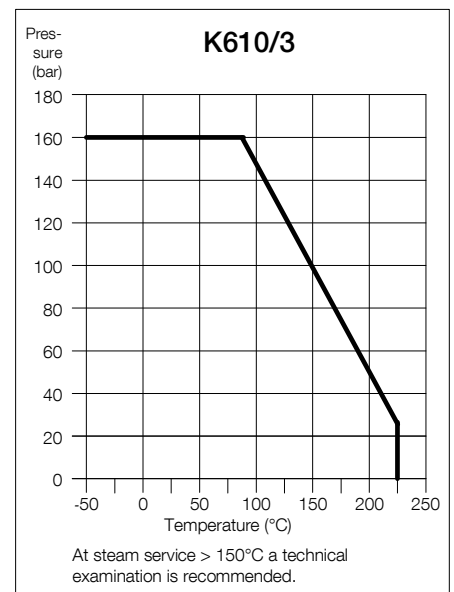


**Pressure gauge ball valve connection G ½" A acc. to DIN 16288 collar cap with cap nut G ½" acc. to DIN 16284 face to face dimension acc. to producers standard**

### Specification:

Pressure gauge ball valve, connection G ½" A acc. to DIN 16288, collar cap with cap nut G ½" acc. to DIN 16284, blow-out-proof stem, body material stainless steel (1.4408), body fully welded, acc. to the safety requirements of chemical industry, antistatic device, free of non ferrous metals, with vent bore, certified acc. to German clean air act VDI 2440, with lever.

Marking: INTEC  
Type: K610/3



No.	Part	Material
1	body	1.4408
2	cap	1.4571/1.4404
3	ball	1.4571/1.4404
4	seat	KFGN
5	sealing ring	KF
6	stem	1.4571/1.4404
7	friction washer	KFSM
8	cone ring	KF
9	sealing washer	KFA
10	washer	A2
11	plate spring	1.4310
12	serrated lock washer	A2
13	hex. nut	A2
14	vent screw	A4/1.4571/1.4404
15	collar cap	1.4571/1.4404
16	cap nut	1.4571/1.4404
17	safety lever	1.4301/plasticised PVC
18	stopper	1.4571/1.4404
19	ball	1.4571/1.4404

### Dimensions

G	GA	DN	dimensions (mm)					SW	weight kg
			L1	L2	L3	H	R		
G ½"	G ½"	Ø 4	125.5	107.5	40.5	49	86	27	0.6

Subject to technical modification. 11/2019